

Best Three View Drawing Award

Winner



#C55 Kokushikan University

Second best

#C08 Doshisha University

Third best

#C06 Kobe University

※This year, the completeness of the vehicle is not taken into account.

#C55 Kokushikan University

This drawing is the best!

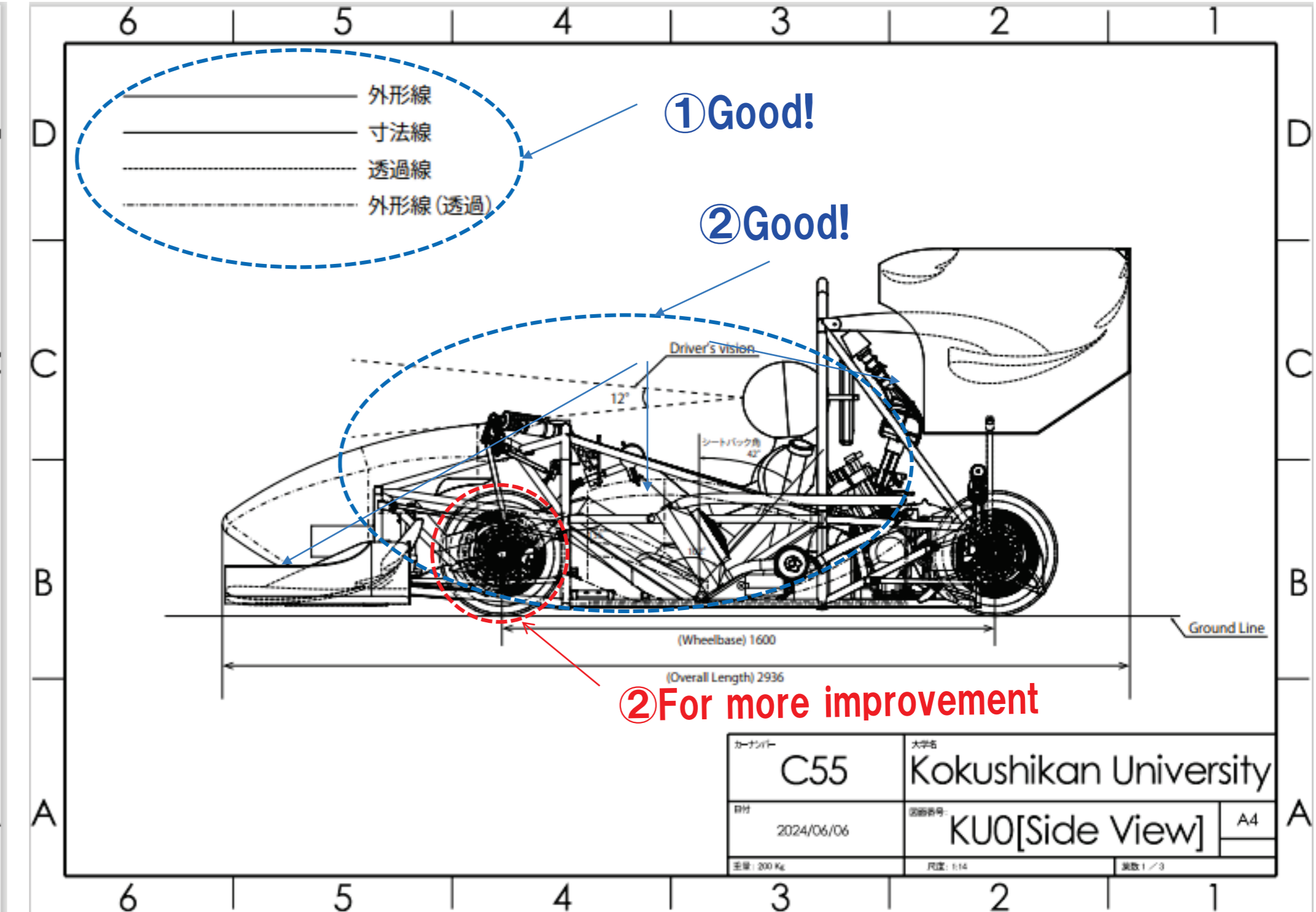
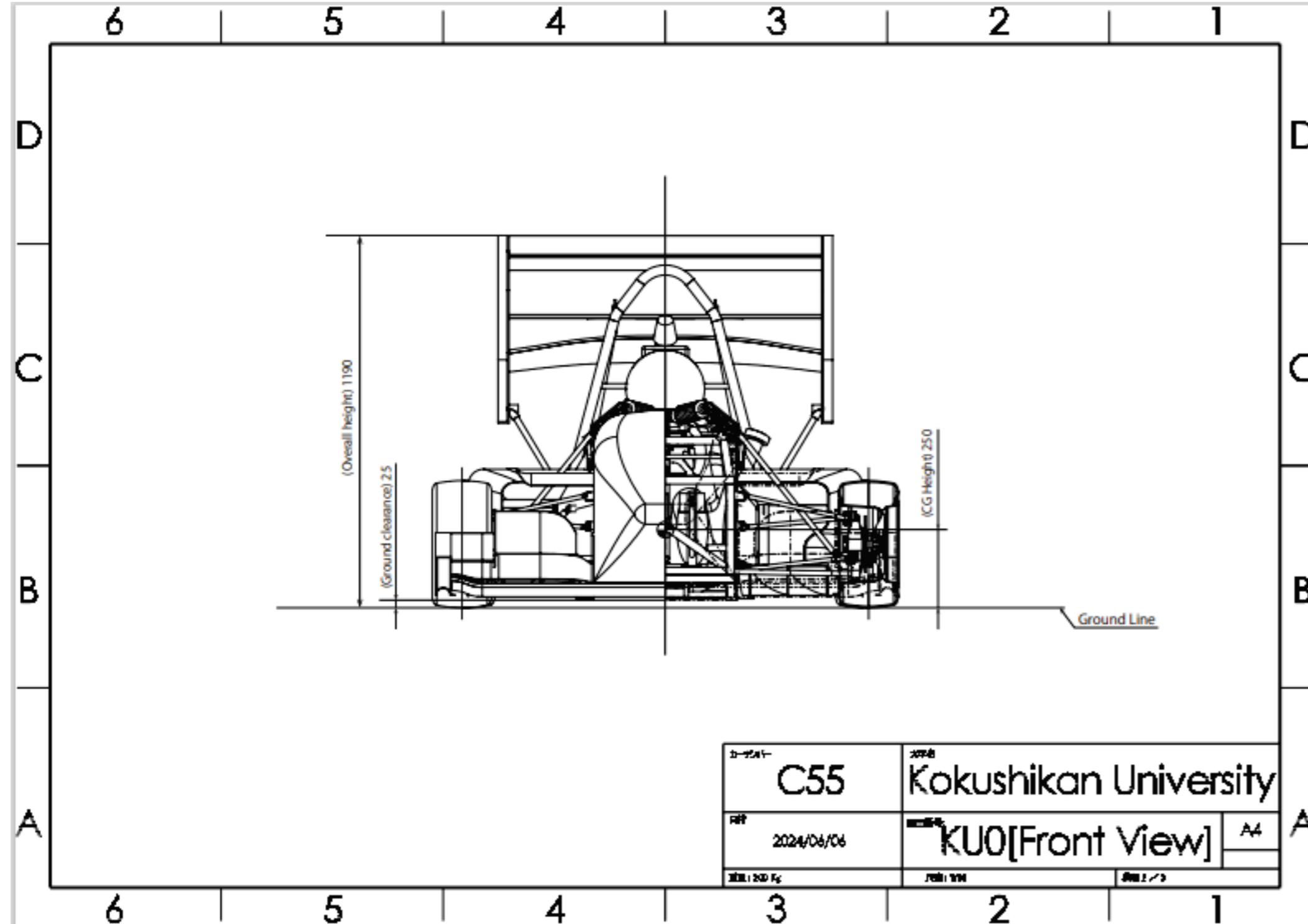
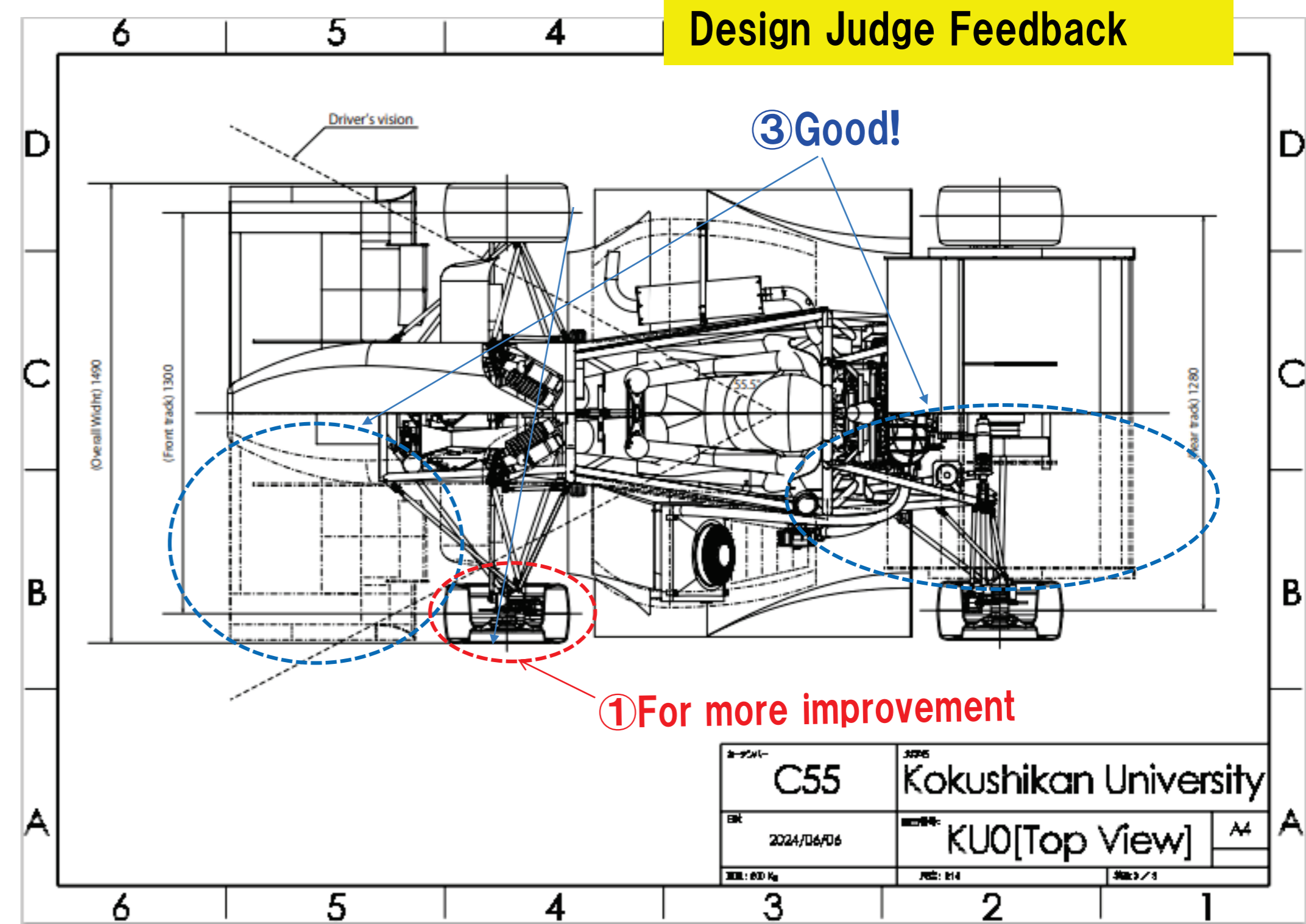
Noteworthy good points

- ① Proper use of line variations
- ② Well shown driver position
- ③ Well shown powertrain structures with hidden lines

For more improvement

- ① Center lines of tires are not alternate long and short dashes lines
- ② Too many lines inside tires

Design Judge Feedback



C08 Doshisha University

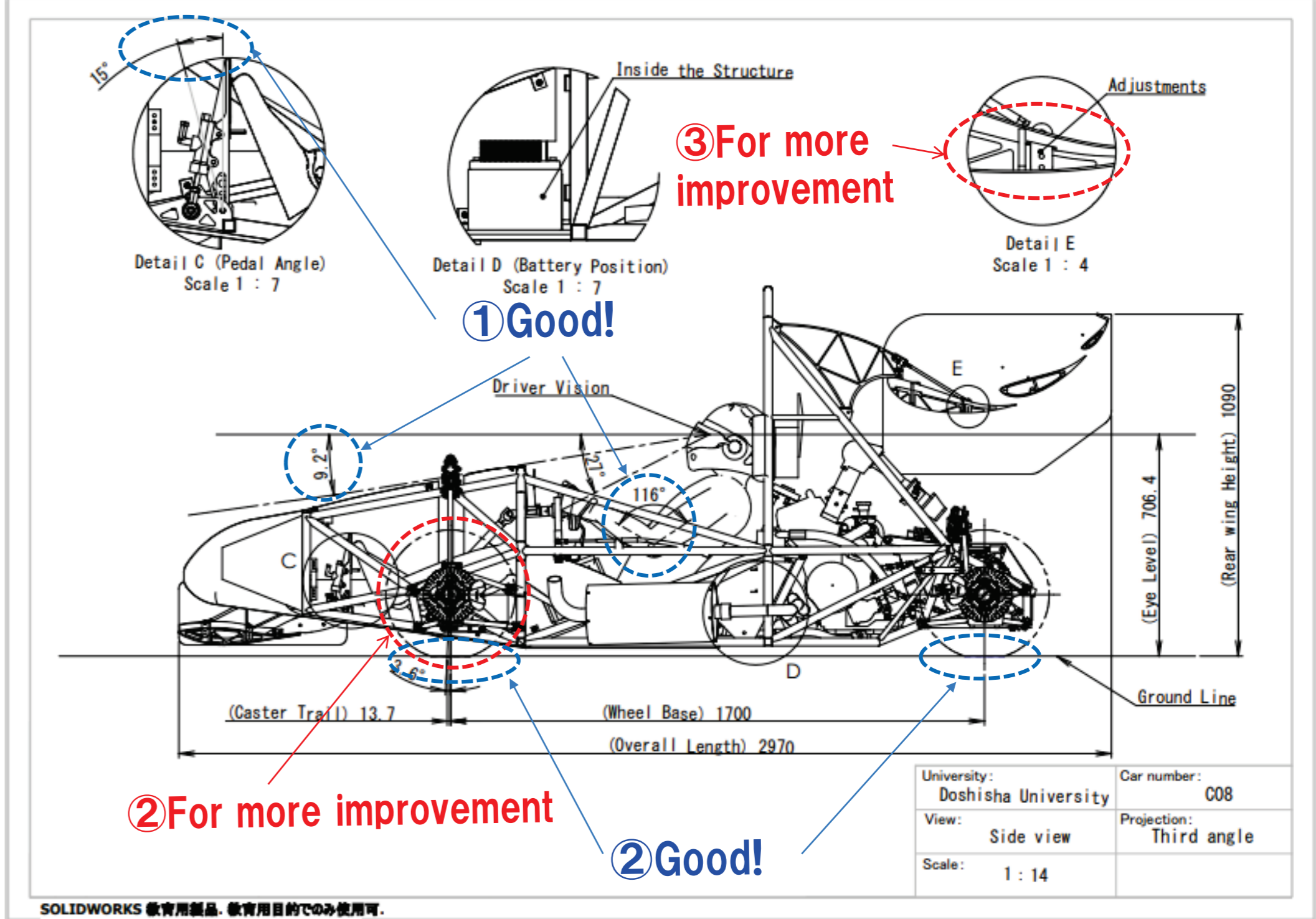
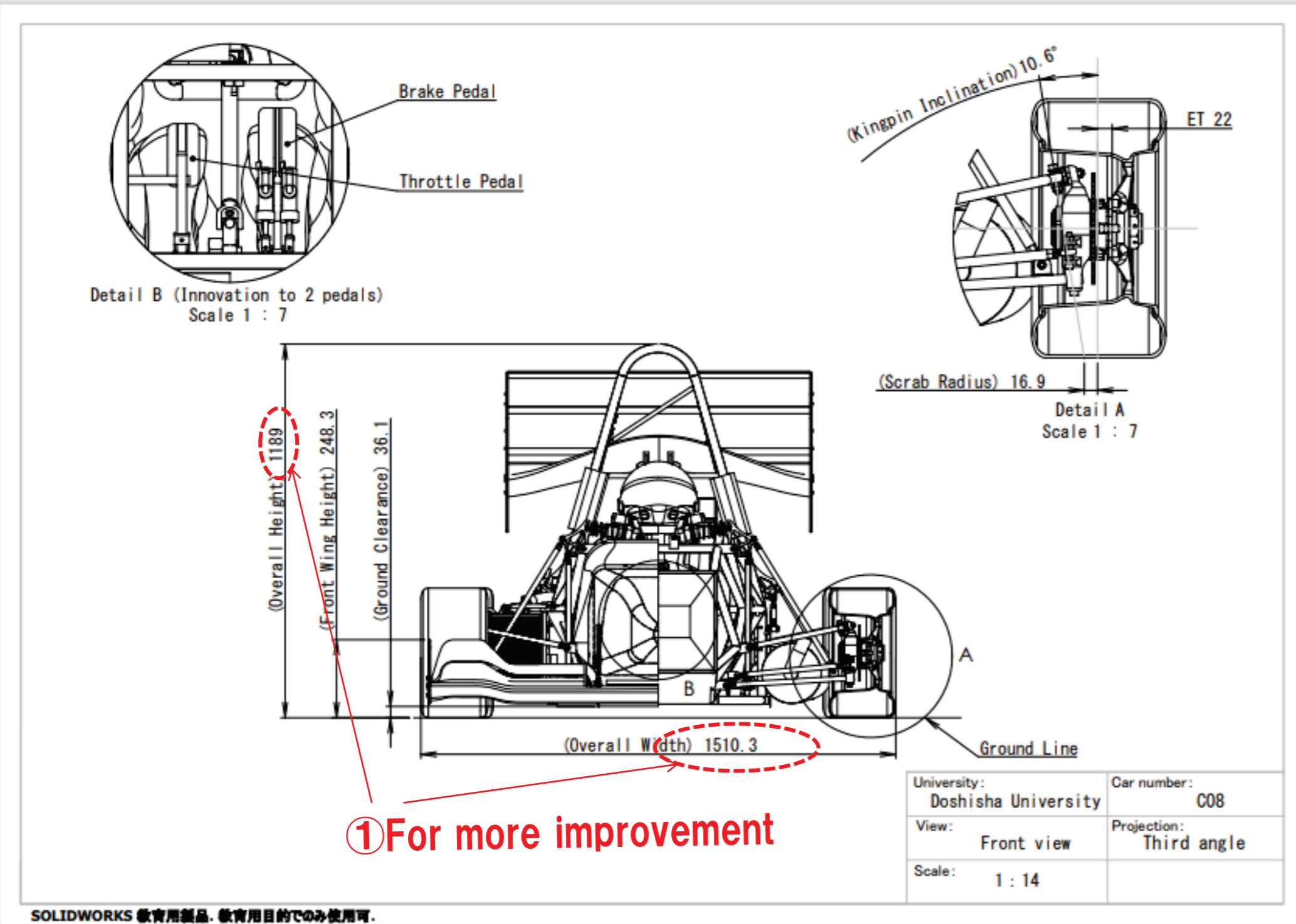
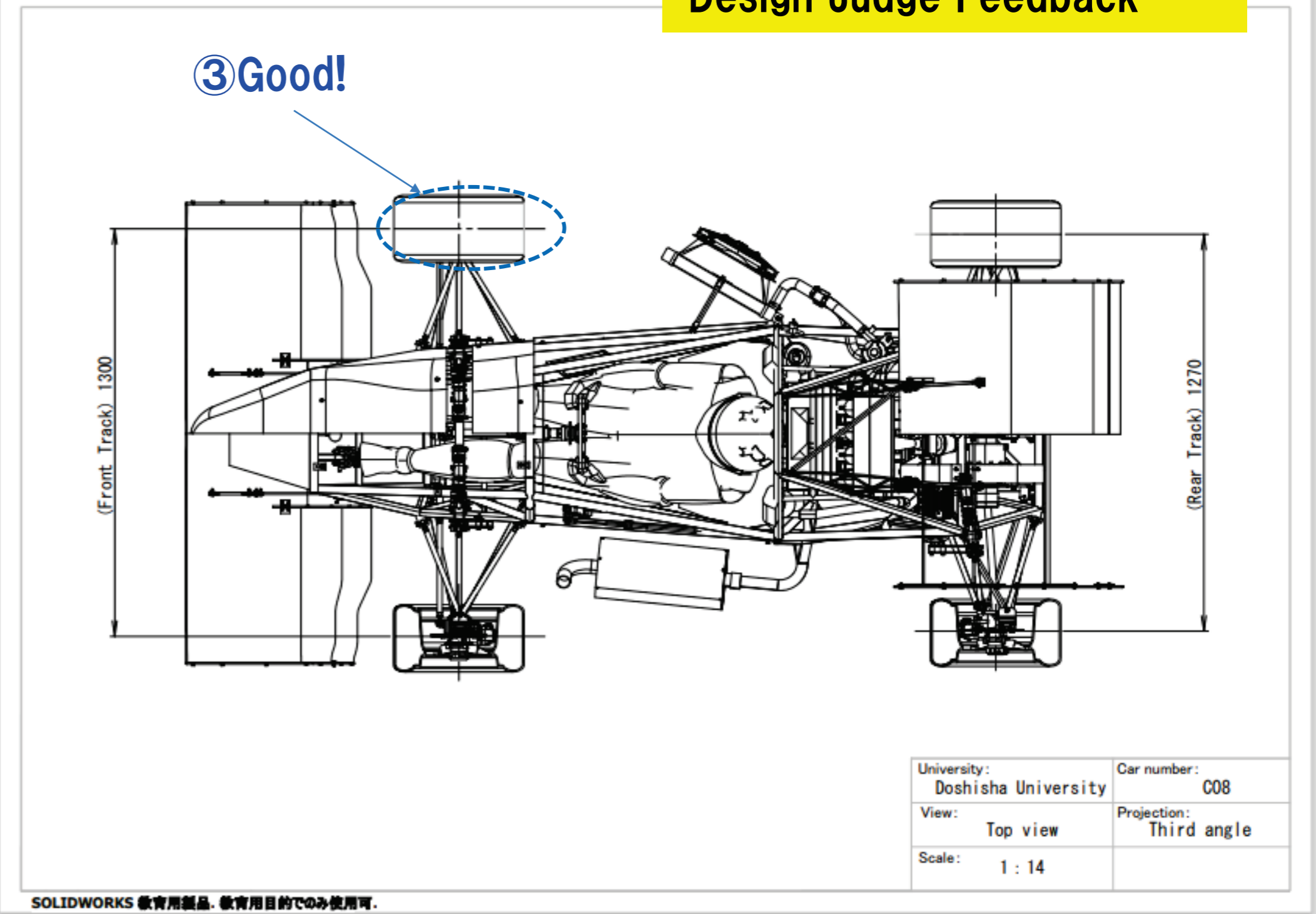
This drawing is second best.

Noteworthy good points

- ① Ergonomic dimensions are shown
- ② Tire deformations are shown
- ③ Correct tire center lines

For more improvement

- ① Significant digits are not unified
- ② Too many lines of brake rotors
- ③ No adjustable dimension is shown



C06 Kobe University

This drawing is third best

Noteworthy good points

- ① Well shown powertrain structures with hidden lines
- ② Correct tire center lines

For more improvement

- ① Too many lines of brake rotors
- ② Not shown detail views are for which parts

